

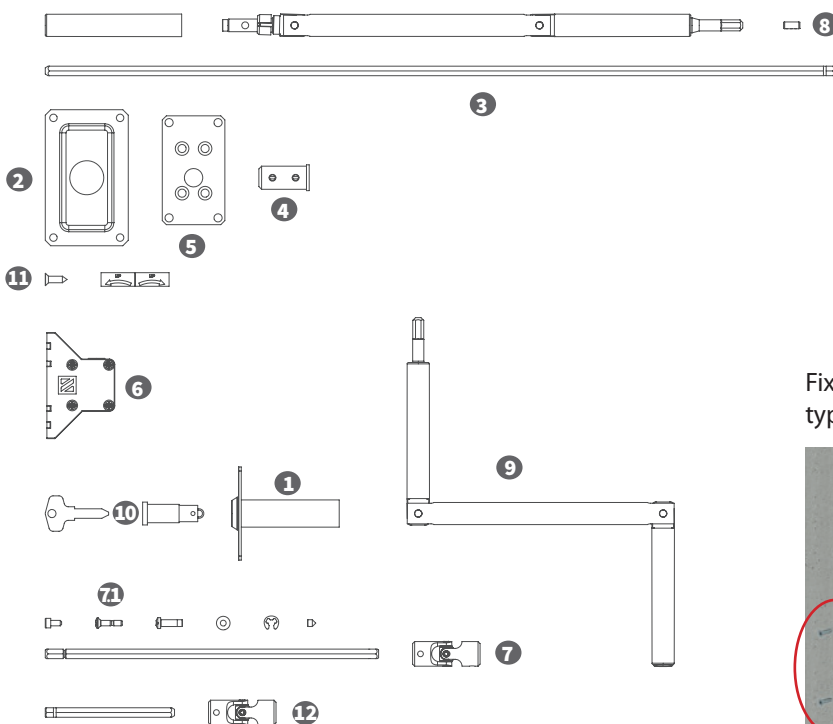
External Override Installation

Through the wall & Through the guide

Parts

The kit is supplied with all the parts needed for through the guide installation and through the wall installation.

Parts 2,3,4 & 5 will not be required for through the guide installation.

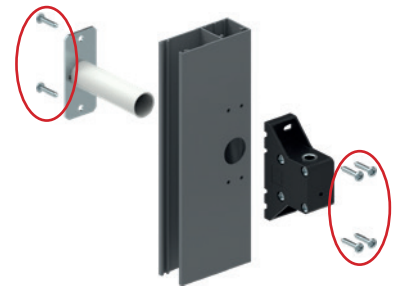


Fixings

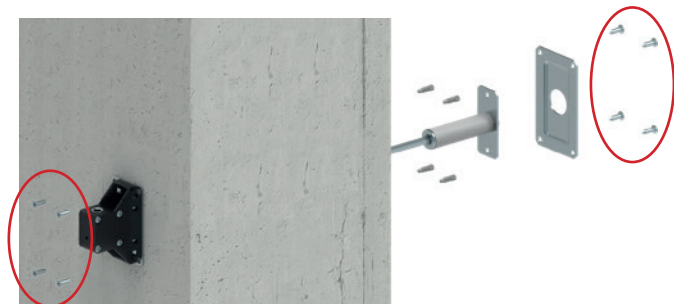
Fixings are not supplied for guide or wall mounting.

Recommended fixing for guides:

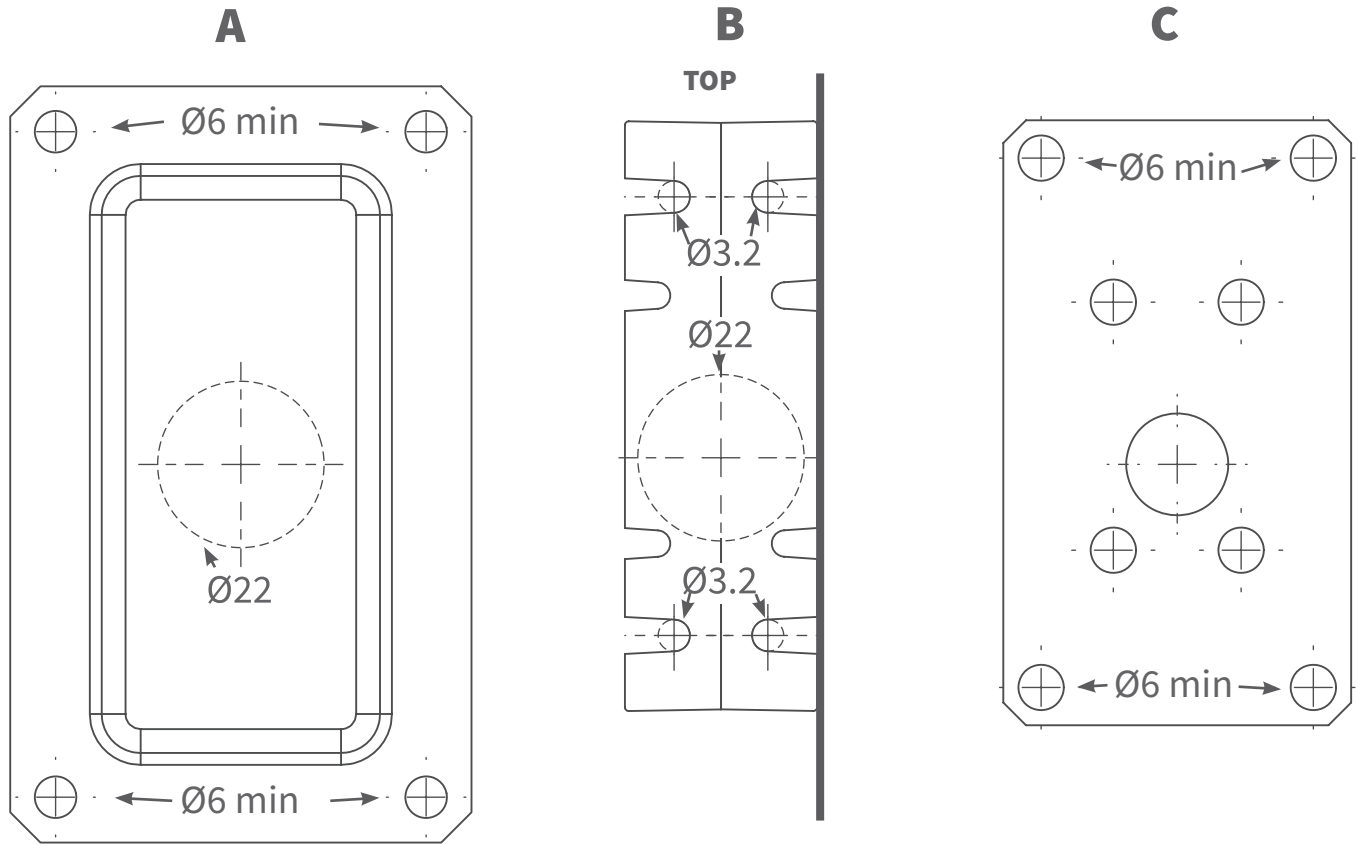
6 no. ST3.9 Self tapping stainless steel, max length 19mm.



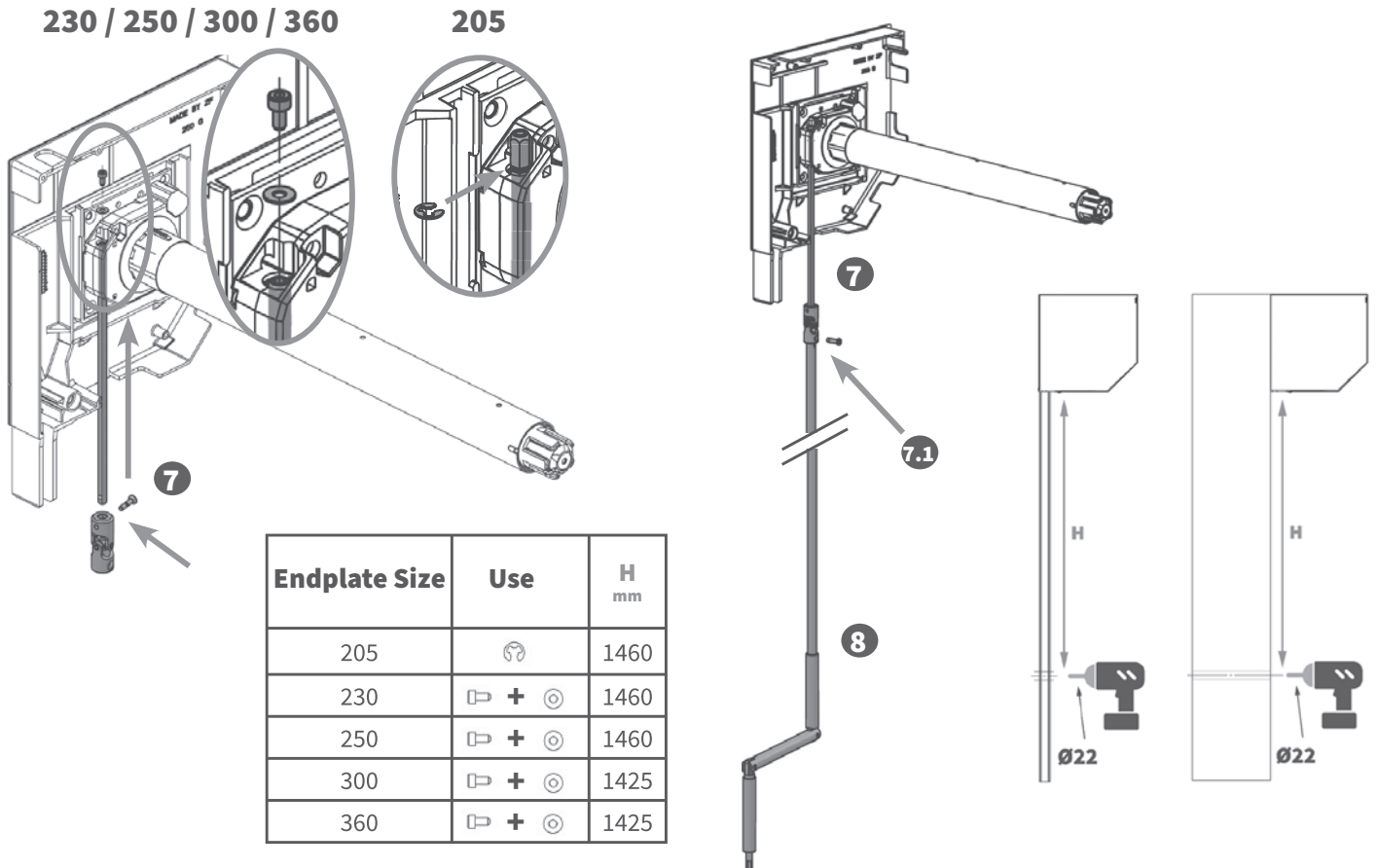
Fixing for through wall installation will depend on wall type - 8no. will be required, fixing holes are 6mm diameter



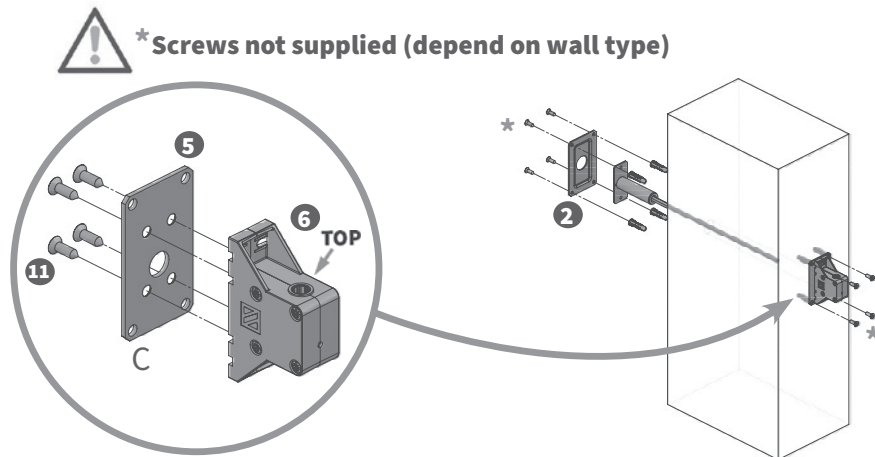
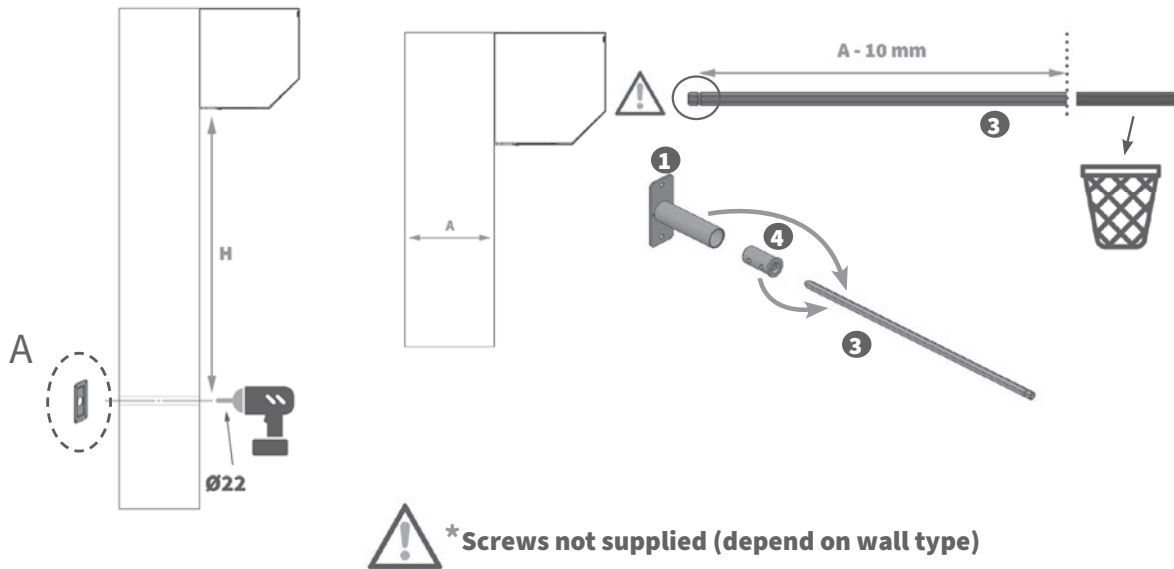
Drilling templates



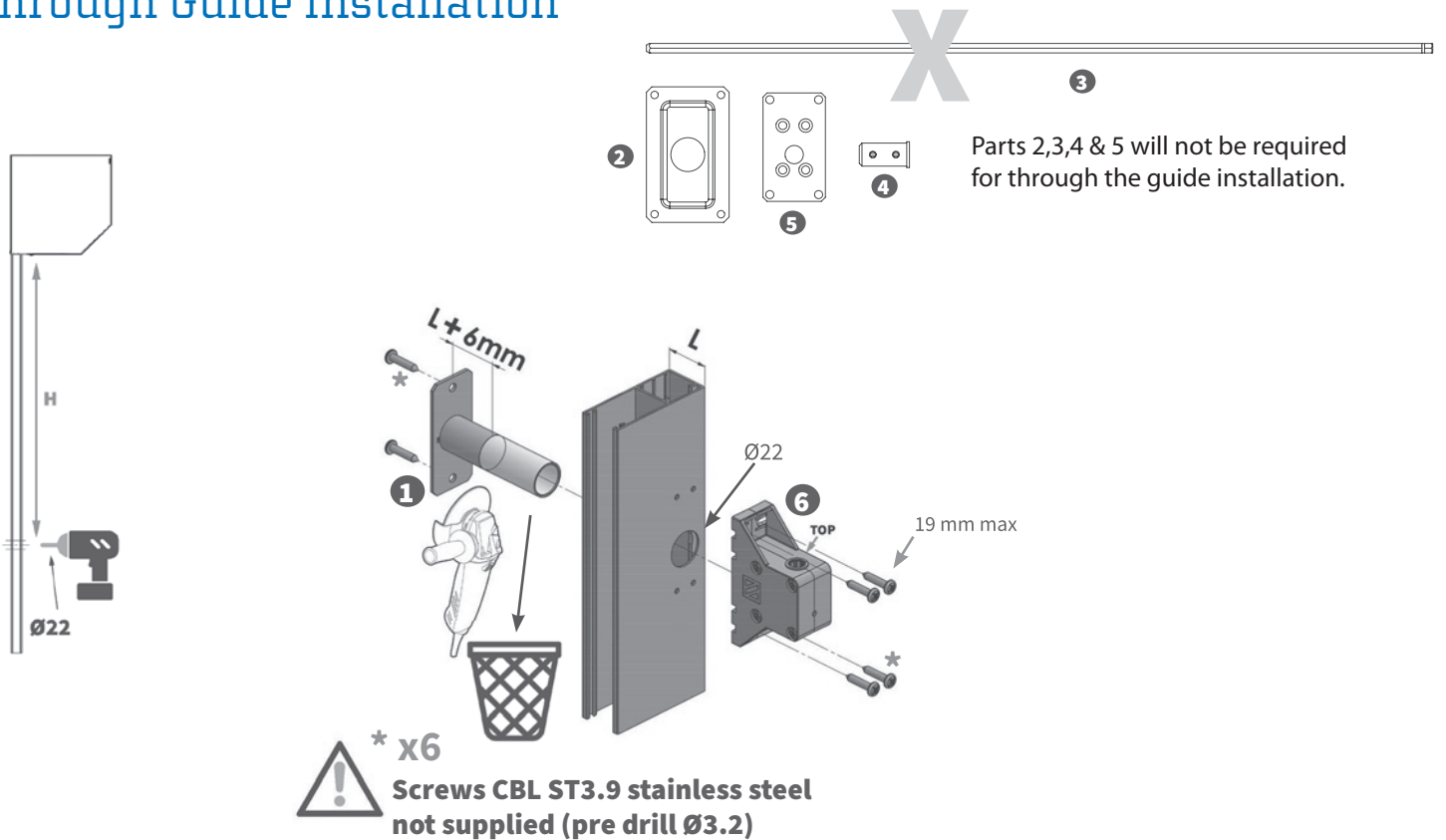
Fitting the internal crank to the motor



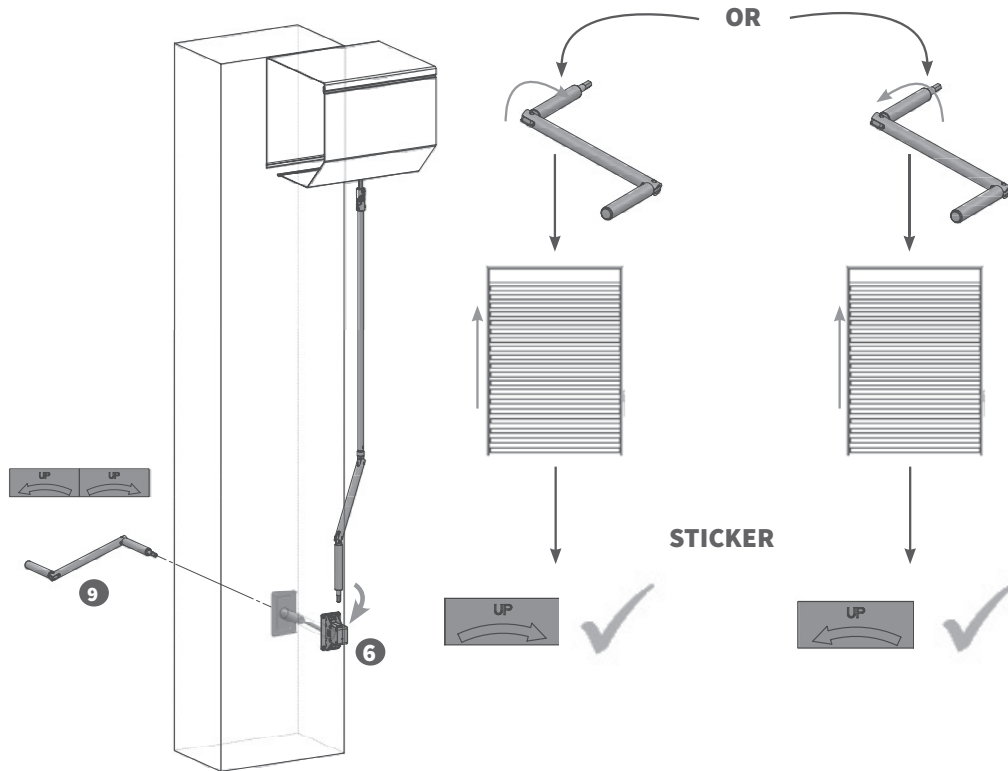
Through Wall Installation



Through Guide Installation



Attach the Direction Sticker



Fit the Locking Barrel

